



LAVATORY FAUCET

MAP-100-*

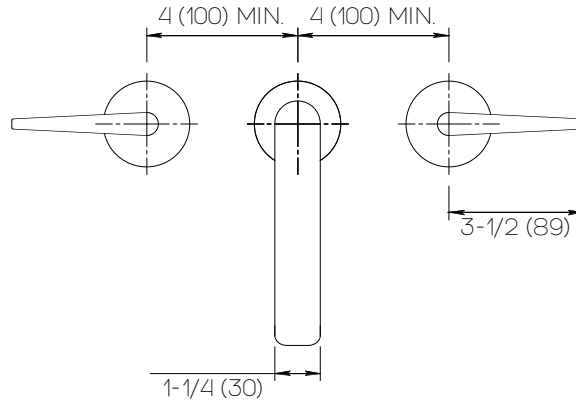
3 HOLE LAV FAUCET WITH PINCH LEVER HANDLE

Product Specifications

Spout	Pinch
Handle	(P) Pinch Lever
Mounting	(3) Holes @ 1-3/8" (35mm)
Features	Zero-Lead Brass
	Ceramic Disc Cartridge
	Linear Aerator
	1.5 gpm

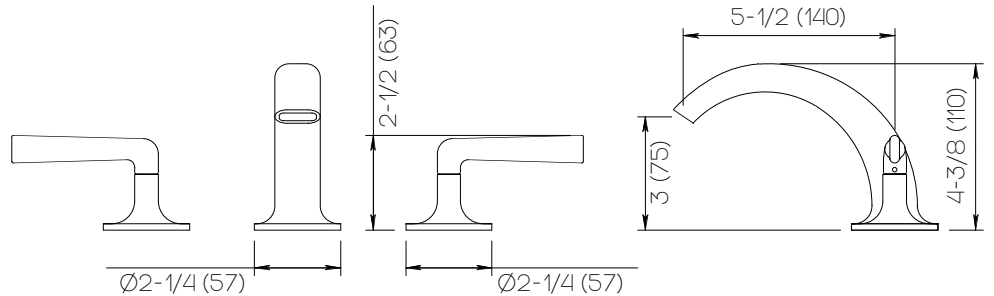
*Finish

PC	Polished Chrome
MP	Matte Palladium
MLC	Matte Light Champagne
AN	Anthracite
MB	Matte Black
MSB	Matte Soft Brass



Select Drain For Application (Not Included)

MT7453OM**	Push Drain for sinks with no drain cover. Select finish to match faucet.
AFMT730CPB	Grid Drain for sinks with drain cover. Polished Chrome



Applicable Codes & Standards

Specified model meets or exceeds the following:

- ASME A112.18.1/CSA B125.1
- US Federal and State material regulations.
- EPA WaterSense®
- ADA

Important

Dimensions are nominal and may vary within the range of tolerances established by ANSI Standard A112.18.1. These measurements are subject to change or cancellation. No responsibility is assumed for use of superceded or voided pages.

AF New York - MA Project Managers

Ashley Patterson
AshleyP@afnewyork.com
212-497-5205

Allyson Garcia
AllysonG@afnewyork.com
212-497-5218

Notes

Dimensions	Inches" (mm)
Issue Date	February 2020

