



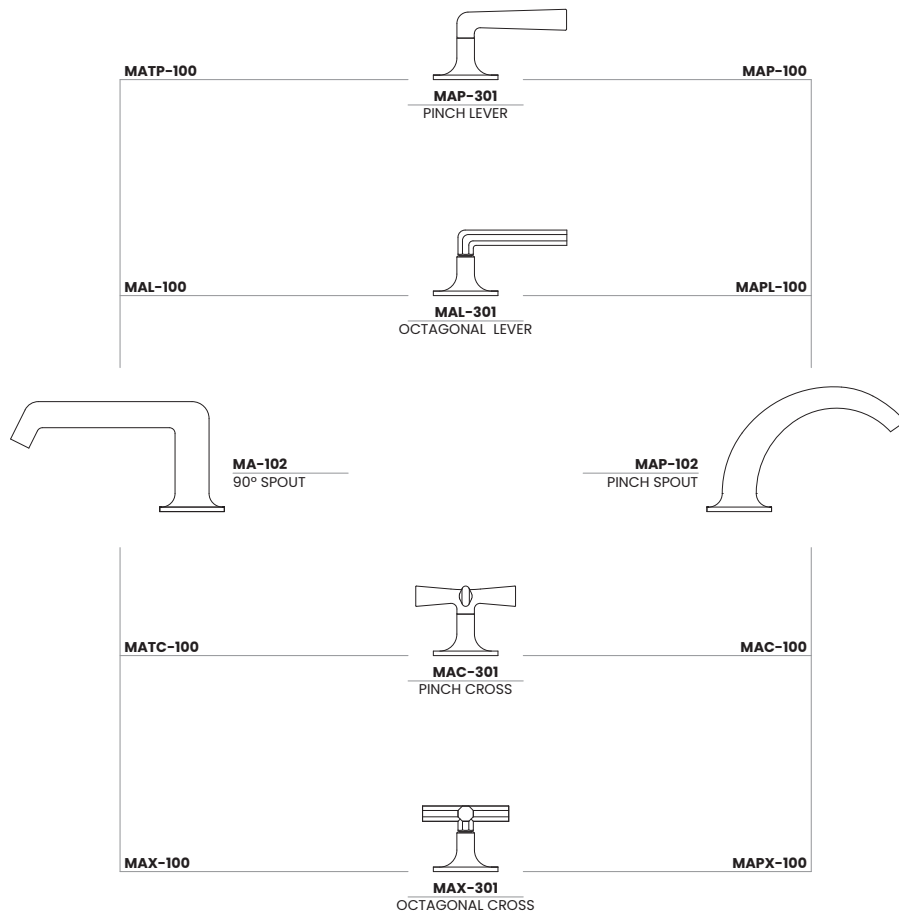
CONGRATULATIONS!

Congratulations on your purchase of a Morris Adjmi Signature Collection Faucet, designed by Morris Adjmi Architects (MA), in collaboration with AF New York.

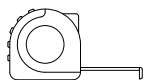
The MA-100 Deck Mounted 3-hole Lav Faucet comprises (2) spouts and (4) handles, which may be purchased in any combination, as shown herein, and in a number of different finishes. This installation Instruction may be used for all MA-100 combinations.

The entire Morris Adjmi Signature Collection includes faucets and fixtures for the bath, shower, and kitchen. For more information, contact AF New York (www.afnewyork.com).

MA-100 FAUCET ITEM CODES



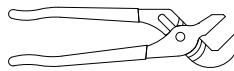
STEP 1 TOOLS REQUIRED



1.1 Tape Measure



1.2 Allen Keys (included)



1.3 Adjustable Pliers with Smooth Jaw



1.4 Aerator Removal Key (included)



STEP 2 FAUCET INSTALLATION PREPARATION

- 2.1 Obtain the necessary tools for mounting the faucet, according to Step 1, Tools Required.
- 2.2 Verify that all faucet parts are accounted for and match the faucet you purchased, according to the MA-100 Faucet Item Codes on Page 1. See also Figure 2.1, Assembly Diagram, and Table 3.1, Assembly Parts.
- 2.3 Prior to mounting the faucet, ensure that the counter top or washbasin on which the faucet will be mounted is properly prepared as follows:
 - 2.4 Maximum counter top or washbasin thickness = 1-3/4" (45mm)
 - 2.5 Faucet hole diameter should be \varnothing 1-3/8" (35mm) for (3) holes.
 - 2.6 The spacing between the faucet mounting holes must be between 8"-12" (200-300mm) on center, measured from handle to handle; or from 4"-6" (100-150mm) on center, measure between each component.
- 2.7 Turn off the water supply.

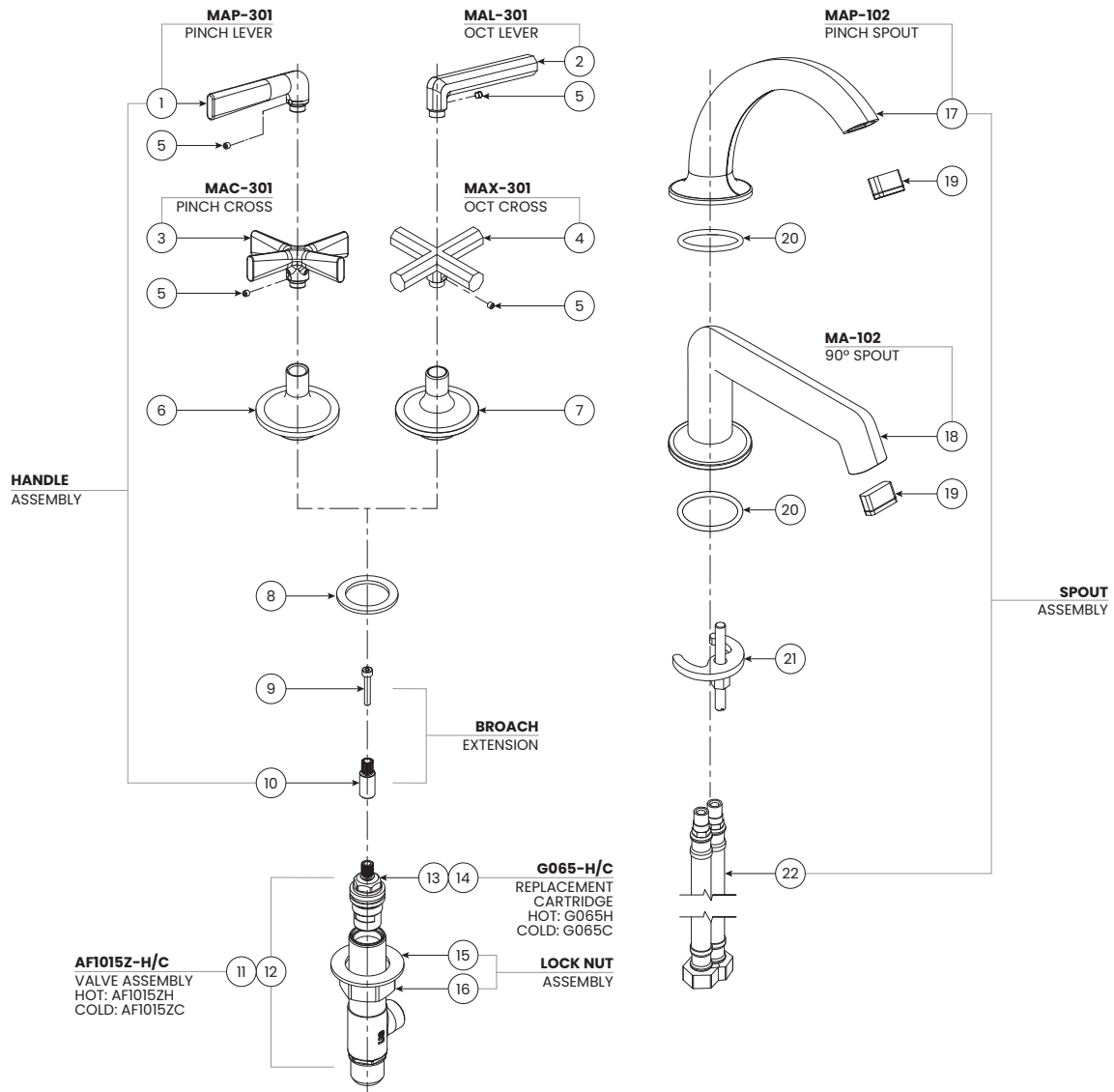


FIGURE 2.1 Assembly Diagram



STEP 3 ASSEMBLY PARTS

| PART | QUANTITY | DESCRIPTION | SUPPLIED WITH ITEM CODE: |
|------|----------|--|--------------------------------------|
| 1 | 2 | PINCH LEVER HANDLE | MAP-100, MATP-100 |
| 2 | 2 | OCTAGONAL LEVER HANDLE | MAL-100, MAPL-100 |
| 3 | 2 | PINCH CROSS HANDLE | MAC-100, MATC-100 |
| 4 | 2 | OCTAGONAL CROSS HANDLE | MAX-100, MAPX-100 |
| 5 | 2 | M4 SET SCREW | ALL |
| 6 | 2 | HANDLE BASE FOR PINCH HANDLES | MAP-100, MATP-100, MAC-100, MATC-100 |
| 7 | 2 | HANDLE BASE FOR OCTAGONAL HANDLES | MAL-100, MAPL-100, MAX-100, MAPX-100 |
| 8 | 2 | HANDLE BASE GASKET | ALL |
| 9 | 2 | BROACH EXTENSION SCREW | ALL |
| 10 | 2 | BROACH EXTENSION | ALL |
| 11 | 1 | DECK VALVE, HOT (INCLUDES PARTS 13,15,16) | ALL |
| 12 | 1 | DECK VALVE, COLD (INCLUDES PARTS 14,15,16) | ALL |
| 13 | 1 | CARTRIDGE, HOT | ALL |
| 14 | 1 | CARTRIDGE, COLD | ALL |
| 15 | 2 | LOCK NUT WASHER | ALL |
| 16 | 2 | LOCK NUT | ALL |
| 17 | 1 | PINCH SPOUT | MAP-100, MAC-100, MAPL-100, MAPX-100 |
| 18 | 1 | 90° SPOUT | MAL-100, MAX-100, MATP-100, MATC-100 |
| 19 | 1 | SPOUT AERATOR | ALL |
| 20 | 1 | SPOUT O-RING | ALL |
| 21 | 1 | SPOUT MOUNTING HARDWARE | ALL |
| 22 | 2 | FLEXIBLE HOSE | ALL |

TABLE 3.1 Assembly Parts



STEP 4 PREPARING THE VALVE

- 4.1 Place Broach Extension (10) directly onto the Deck Valve Cartridge (13 or 14) (Figure 4.1).
- 4.2 Insert Broach Extension Screw (9) directly into the Broach Extension and tighten with Allen Key (Figure 4.1).
- 4.3 Unscrew Lock Nut (16) and Lock Nut Washer (15) as far as possible toward the bottom portion of the Valve (11 or 12).

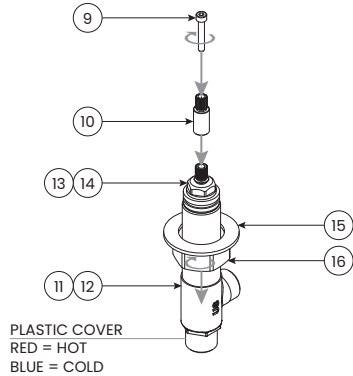


FIGURE 4.1

STEP 5 ATTACHING THE HANDLE TO THE VALVE

- 5.1 From underneath the counter top or washbasin, insert Deck Valve (11 or 12) up through the prepared hole (Figure 5.1).
- 5.2 Place Handle Base Gasket (8) around the exposed portion of the deck valve (Figure 5.1).
- 5.3 Screw down Handle Base (6 or 7) directly on to Deck Valve (11 or 12) (Figure 5.1).
- 5.4 By hand, tighten Lock Nut (16) and Lock Nut Washer (15) to counter top or washbasin (Figure 5.2).*
- 5.5 Insert Handle (1, 2, 3 or 4) onto Broach Extension (10) (Figure 5.2).*

***IMPORTANT**

Adjust height of Deck Valve (11 or 12) as necessary so that Handle (1, 2, 3 or 4) is both fully engaged on Broach Extension (10), and does not interfere with Handle Base (6 or 7), when Handle is turned on/off. When final height is achieved, tighten Lock Nut (16) with Adjustable Pliers with Smooth Jaw.

- 5.6 With the valve in the OFF position and the Handle (1, 2, 3, or 4) properly aligned as shown, fix the Handle to the Broach Extension (10) with the Set Screw (5), using the Allen Key provided (Figure 5.2).

HOT: OFF = Counter-Clockwise ON = Clockwise
COLD: OFF = Clockwise ON = Counter-Clockwise

- 5.7 Repeat Steps 4 and 5 for the second handle.

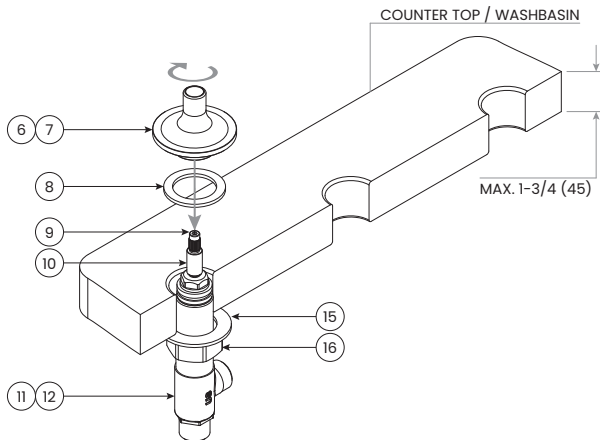


FIGURE 5.1

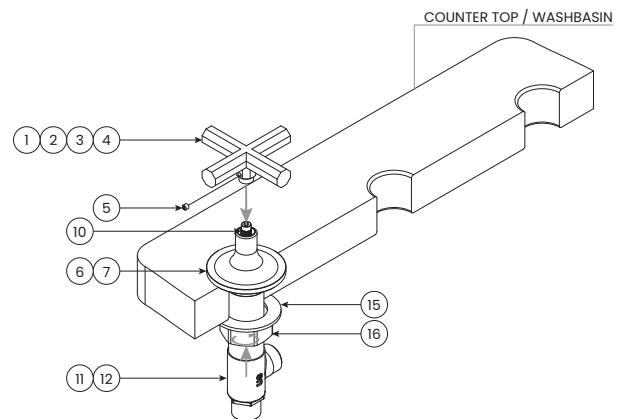


FIGURE 5.2

STEP 6 MOUNTING THE SPOUT

- 6.1 Insert the Spout O-ring (20) underneath the base of the Spout (17 or 18) (Figure 6.1).
- 6.2 According to Figure 6.1, screw and tighten the male end of the Flexible Hoses (22) into the corresponding threaded holes in the base of the Spout (17 or 18).
- 6.3 Screw the threaded rod of the Spout Mounting Hardware (21) into the remaining hole in the base of the Spout (17 or 18).
- 6.4 With Spout centered and aligned properly, tighten the Spout Mounting Hardware (21) against the counter top or washbasin using the nut as shown in Figure 6.2.

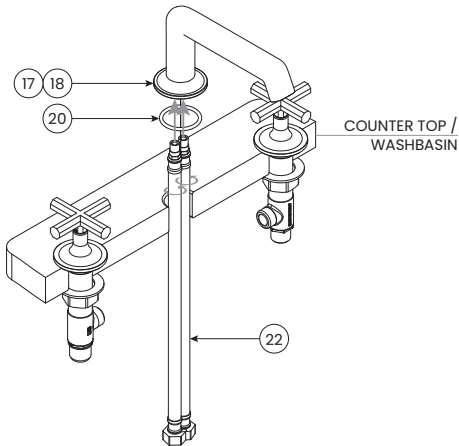


FIGURE 6.1

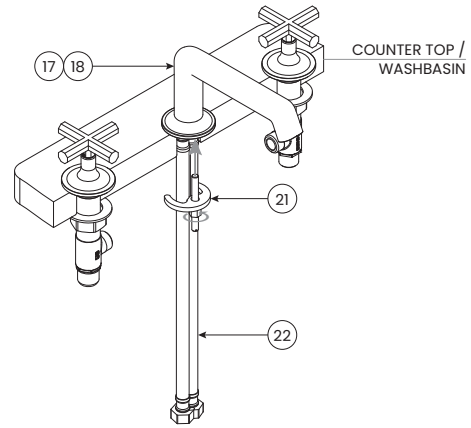


FIGURE 6.2

STEP 7 CONNECTING THE FAUCET TO THE WATER SUPPLY

- 7.1 Connect the Flexible Hoses (22) to the Hot (11) and Cold (12) Deck Valves as shown in Figure 7.1.
- 7.2 Remove the Red (Hot) and Blue (Cold) Plastic Covers from the bottom of the Hot Deck Valve (11) and Cold Deck Valve (12), respectively. Connect the water supply to the valves as shown in Figure 7.1.
- 7.3 Using the Aerator Removal Key provided, remove Aerator (19) from the Spout (17 or 18) according to Figure 7.2 (1-3). Turn on the water supply and flush any debris out of the system. Turn off the water and replace the Aerator according to Figure 7.2 (4).
- 7.4 Check the assembly for any leaks, and make adjustments as necessary.
- 7.5 Your faucet is now ready to use!

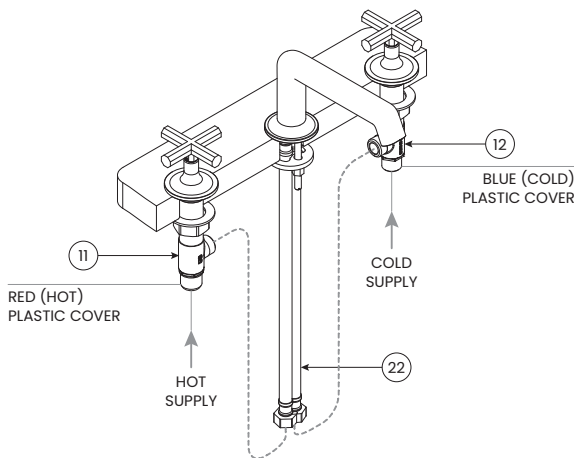


FIGURE 7.1

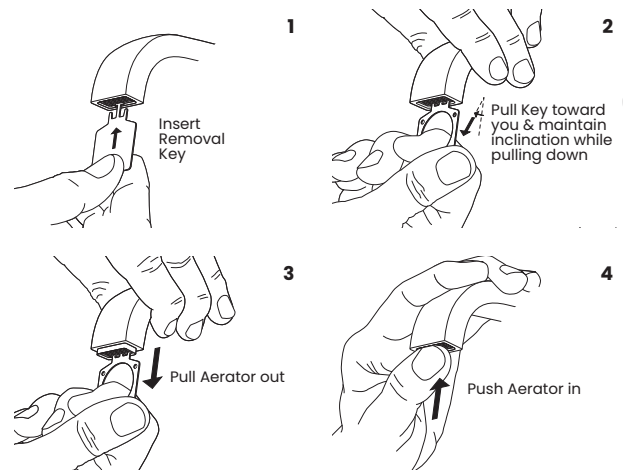


FIGURE 7.2