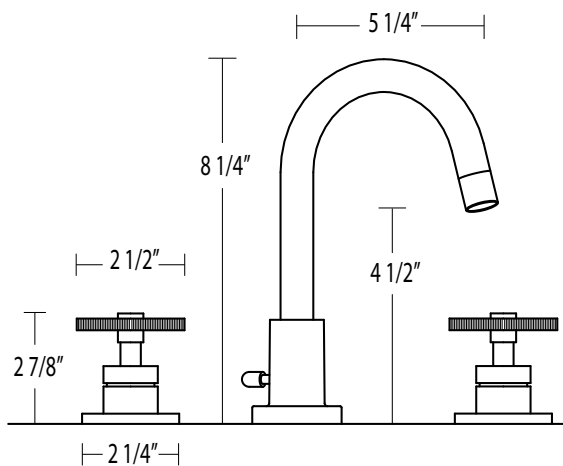


INDUSTRIAL

#IND100A

Deck mounted three-hole lavatory faucet.



IMPORTANT: Dimensions are nominal and may vary within the range of tolerances established by ANSI Standard A112.18.1 These Measurements are subject to change or cancellation. No responsibility is assumed for use of superseded or voided pages.