

PROGRAM 1.0

D03-H01-100-**

3 hole deck mounted lavatory faucet
trim only (rough and drain not included)



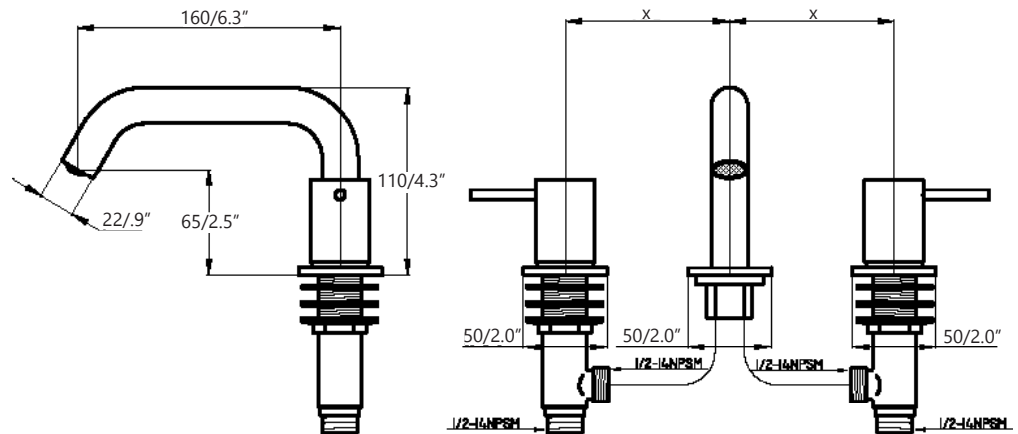
APPLICABLE CODES & STANDARDS

Specified model meets or exceeds the following:

- *ADA
- *ICC/ANSI A117.1
- *CSA B651
- *OBC
- *ASME A112.18.1/CSA B125.1
- *NSF 61
- *All applicable US Federal and State material regulations
- *EPA WaterSense

IMPORTANT

Dimensions are nominal and may vary within the range of tolerances established by ANSI Standard A112.18.1. These measurements are subject to change or cancellation. No responsibility is assumed for use of superceded or voided pages.



Rough AF1015 shown but not included